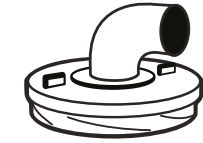
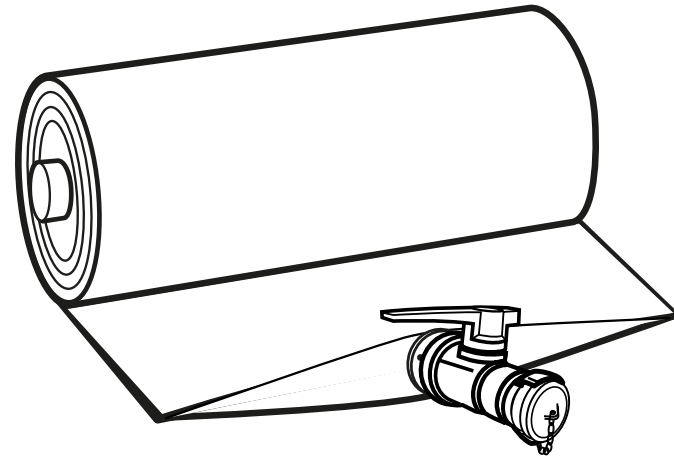




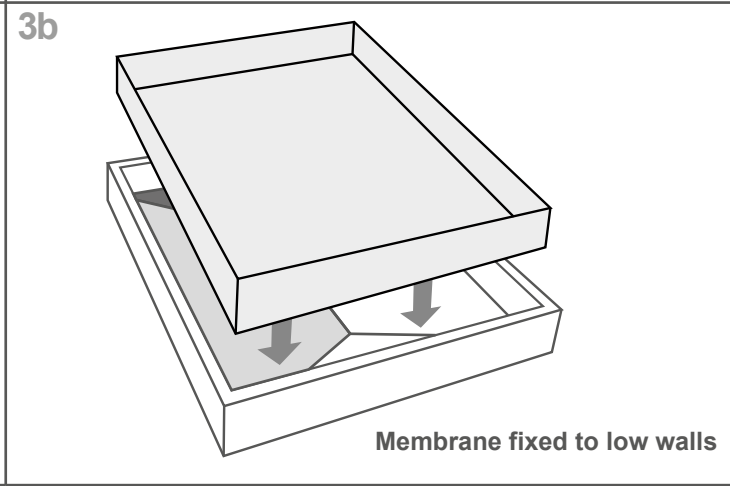
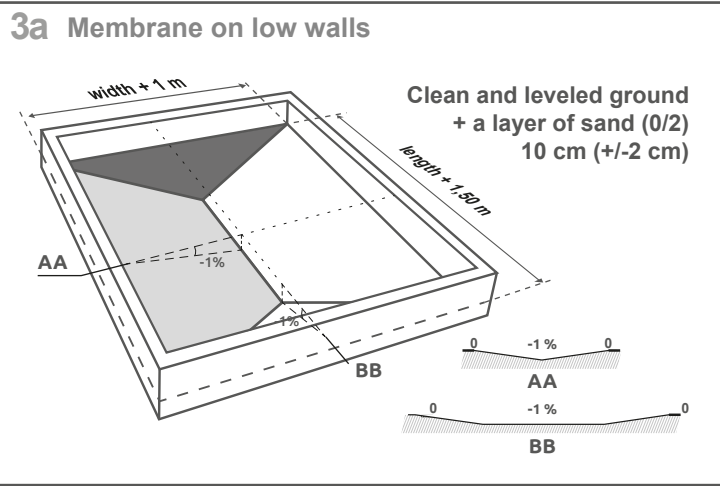
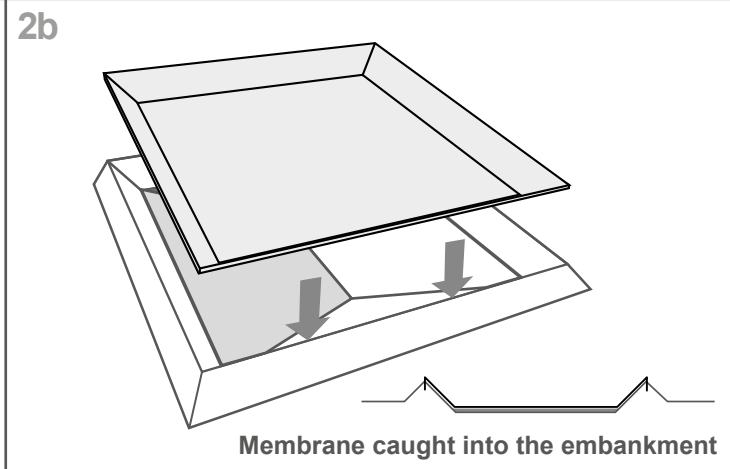
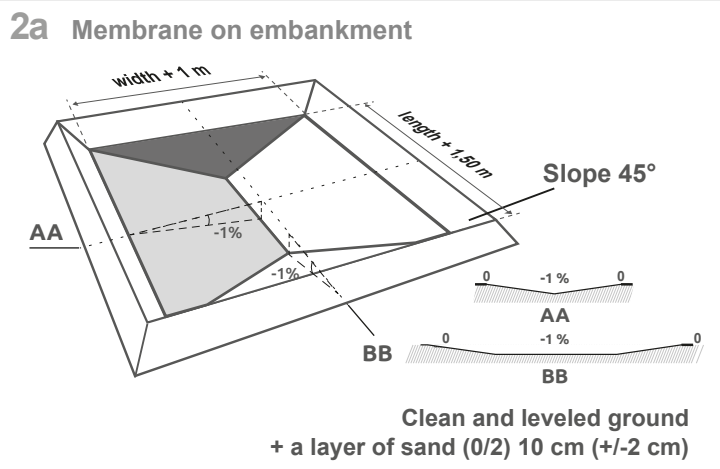
1

WARNING

If the filling is not done immediately:
ballast the tank
 with a minimum of 5 cm of liquid



Optional
On the top filling



4

IMPORTANT

Installation of the tank according to its volume

V. (m ³)	number of people
1 to 180	1 to 2
180 to 400	3 to 4

It is **strictly forbidden** to handle the product with machines to avoid any deterioration



5

Follow the unfolding plan attached to this installation guide

6 Unfold the tank according to the diagram

7

MANDATORY

Mounting pads necessarily before filling for each angle

x4

Use a 10 mm wrench (not provided)

8 Stir the tank by the angles from top to bottom **manually**

This step is necessary to pass air under the tank to facilitate its movement and positioning

9 Shake and spread correctly the tank to remove all the folds

It is **ESSENTIAL** to install the tank correctly before filling it

10 FOR ALL THE INLETS/OUTLETS

STRETCH WITH CARE without tools, in order to pass inside the counterflange with its seal

Install correctly the counterflange in its socket

11

Use a 13mm wrench (not provided)

Optional

Overtightening can cause the counterflange to break

It is necessary to repeat steps 8 and 9 once all the parts are installed

12

Overview on embankment

Follow the instructions for use

13

Overview on low walls

Follow the instructions for use